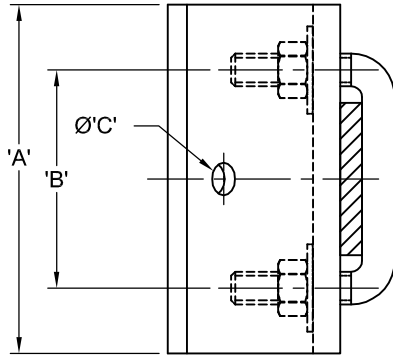


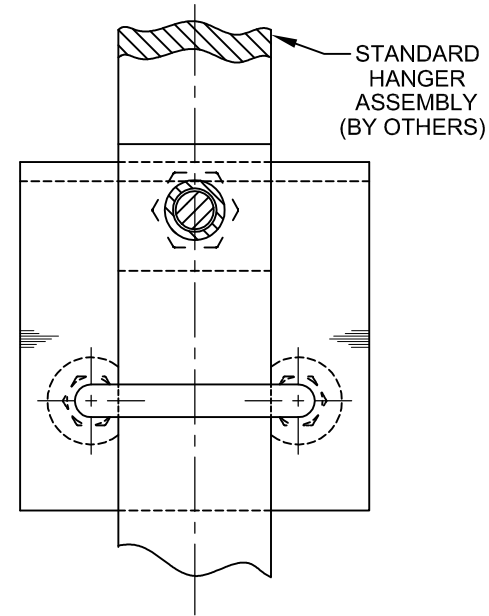
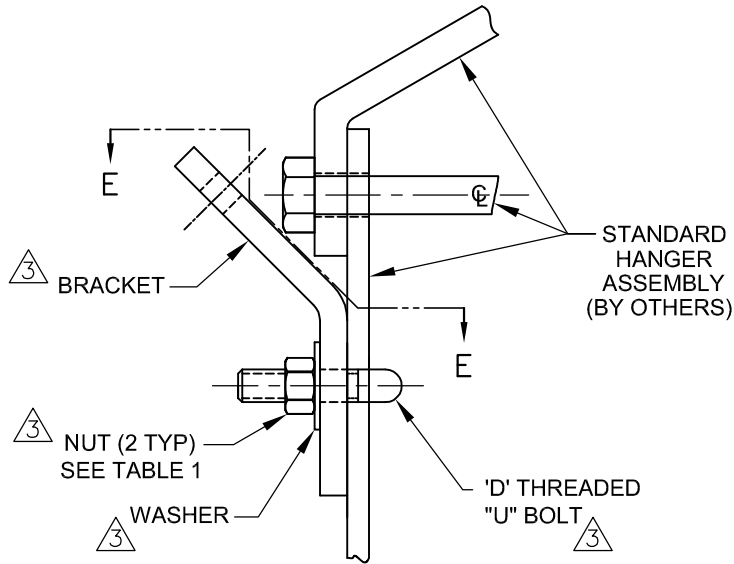
154R-101957 REV.: 2

REV.	DESCRIPTION	DATE	BY



SECTION E-E

PART NUMBER	DIM. 'A'	DIM. 'B'	DIM. 'C'	DIM. 'D'	NUT	USED FOR PIPE SIZE
176319-1	4.00	2.50	Ø.50	.50	.375-16 UNC	0" - 10"
176319-2	5.88	3.88	Ø.63	.63	.500-13 UNC	12" - 24"



NOTES:

1. ALL DIMENSIONS IN INCHES. INTERPRET PER ANSI Y14.
2. FINISH: HARDWARE- ZINC ELECTROPLATE.
3. PROVIDED BY THE VMC GROUP.

OTHER MATERIALS, COMPOUNDS, OR FINISHES WITH EQUAL OR SUPERIOR PROPERTIES MAY BE SUBSTITUTED AS THEY BECOME AVAILABLE.

CERTIFIED FOR:

JOB NAME: _____
 CUSTOMER : _____
 CUSTOMER P.O.: _____
 SALES ORDER: _____

**MODEL SEISMIC RESTRAINT
 CLEVIS BRACKET RETROFIT
 ASSEMBLY**



THE VMC GROUP
The Power of Together
 Bloomingdale, NJ 07403
 Houston, TX 77041

SCALE:

NONE

SHEET:



DRAWING NO.:

REVISION